

GENSIO<1:0>
CCONTCSX

PURX
CCONTINT
SLEEPCLK

SIMCARD<3:0>

HEADDET
CNTVR<4:0>
SIMIF<4:0>

PCM<3:0>
FBUS<1:0>
MBUS
XMIC
SGND
XEAR
CHARLIM
CARDDET
MICP
MICN
PWRONX

VIBRA
BATTIO

RXC
TXC

not_assembled

not_assembled

not_assembled

not_assembled

not_assembled

not_assembled

not_assembled

not_assembled

not_assembled

not_assembled

not_assembled

not_assembled

not_assembled

not_assembled

not_assembled

not_assembled

not_assembled

not_assembled

not_assembled

not_assembled

not_assembled

not_assembled

not_assembled

not_assembled

not_assembled

not_assembled

not_assembled

not_assembled

not_assembled

not_assembled

not_assembled

not_assembled

not_assembled

not_assembled

not_assembled

not_assembled

not_assembled

not_assembled

not_assembled

not_assembled

not_assembled

not_assembled

not_assembled

not_assembled

not_assembled

not_assembled

not_assembled

not_assembled

not_assembled

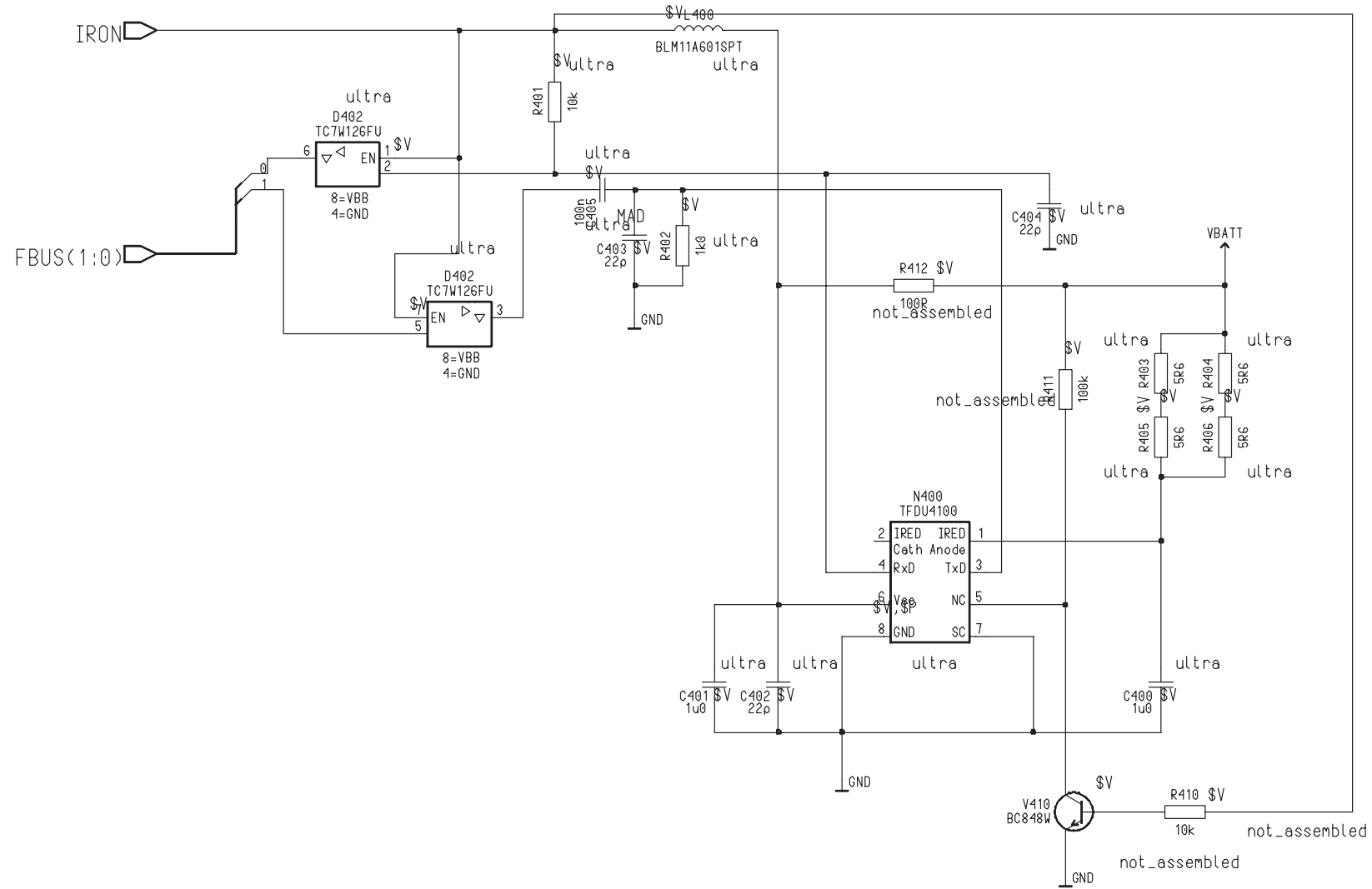
not_assembled

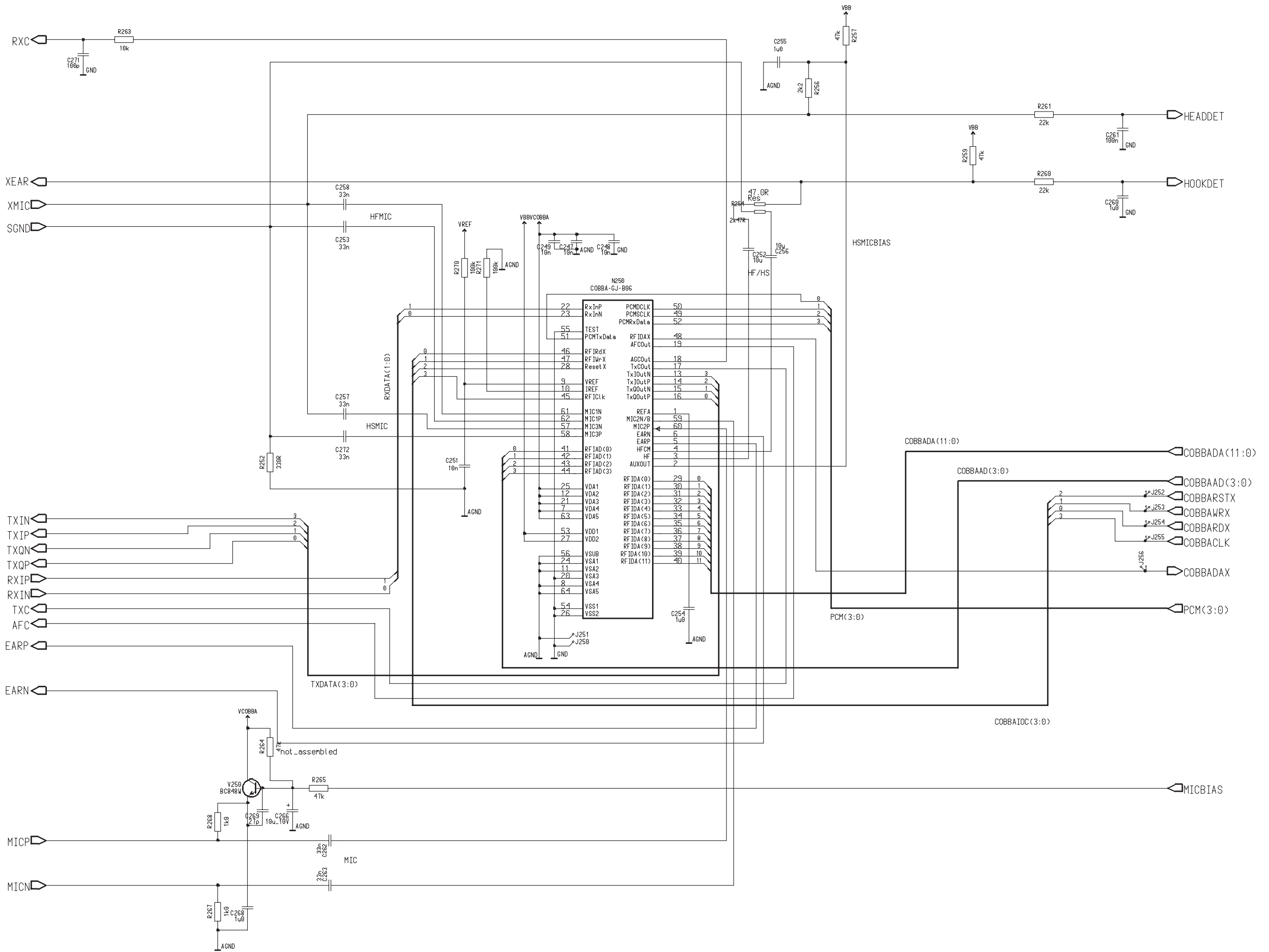
not_assembled

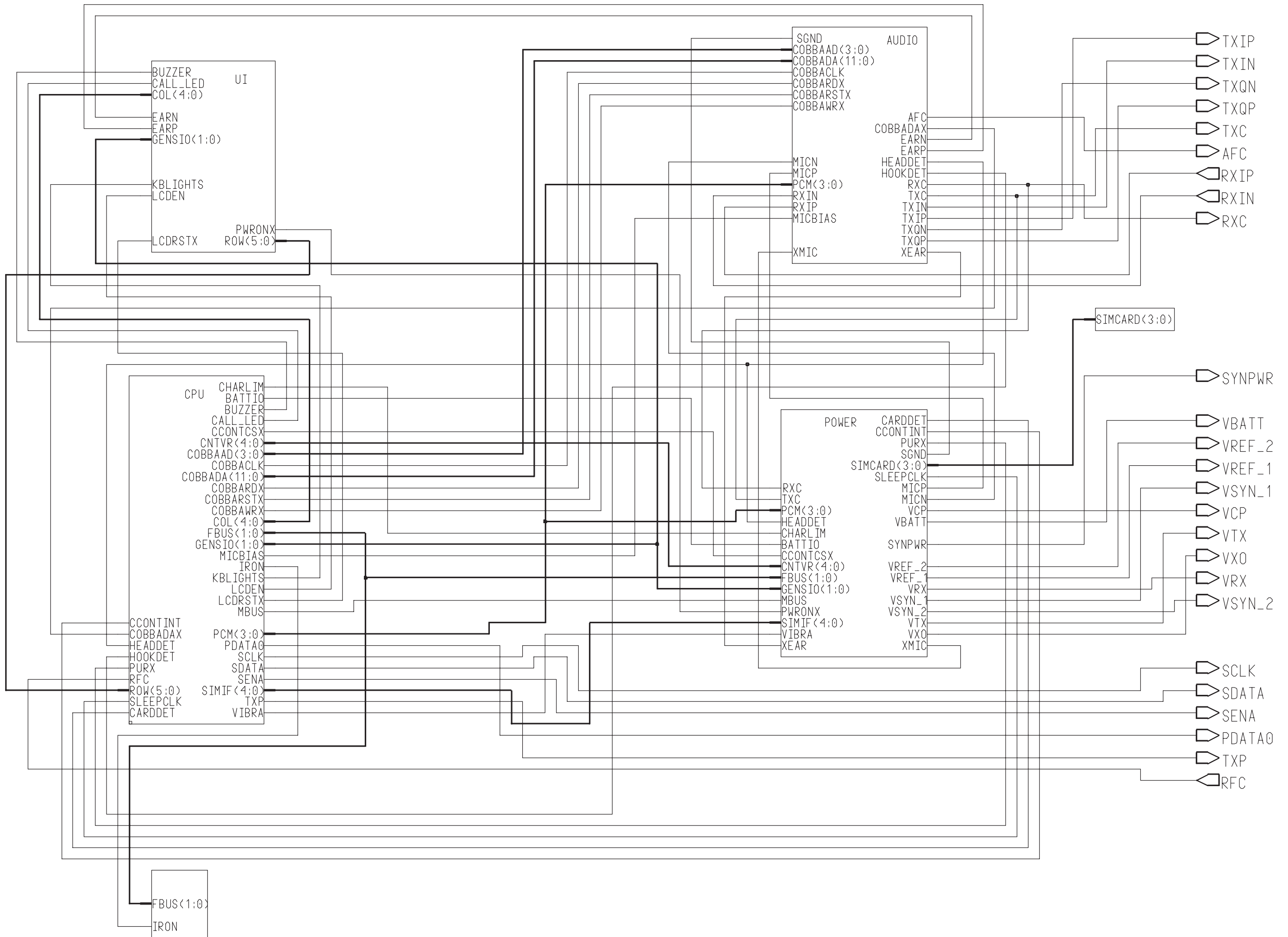
not_assembled

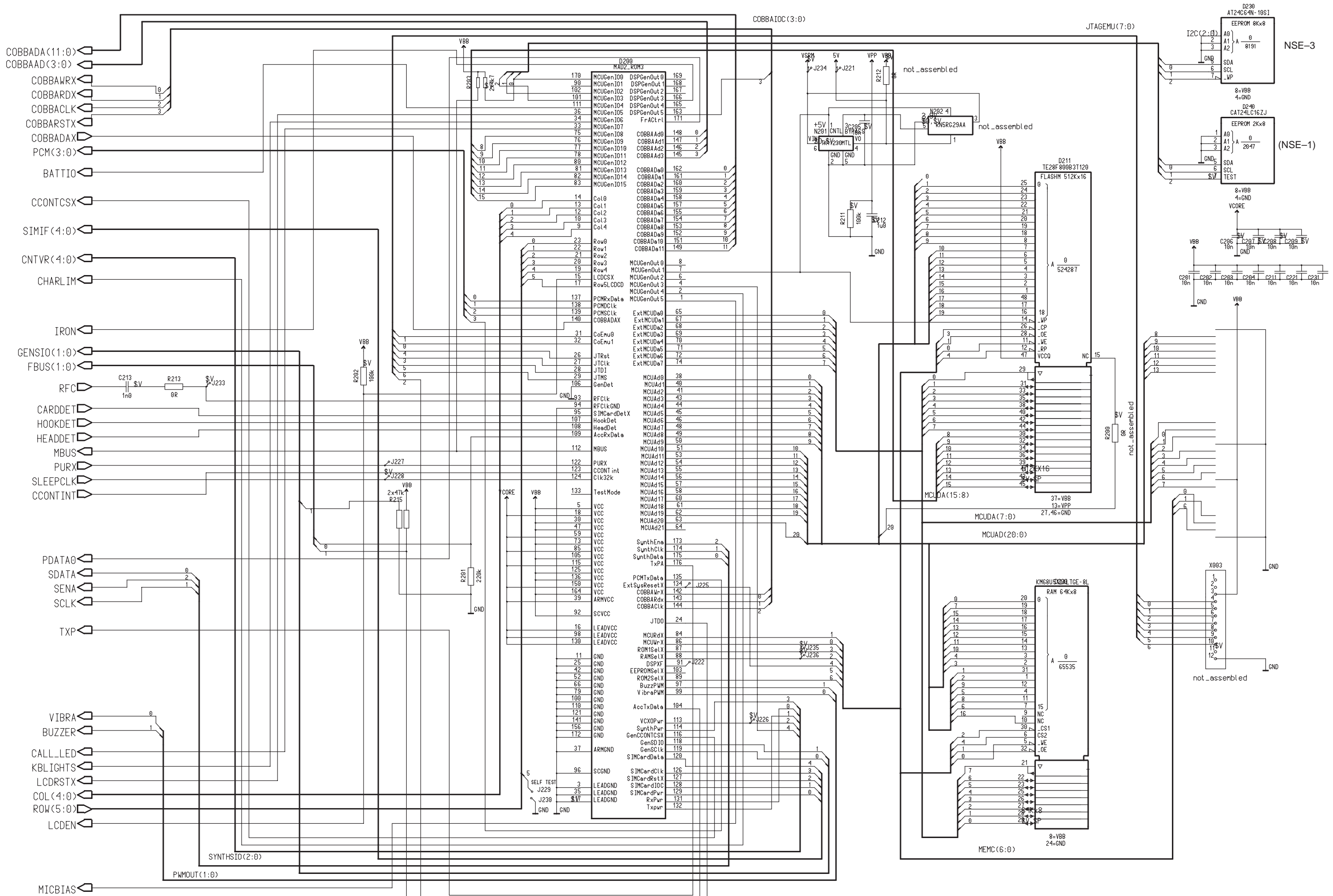
not_assembled

not_assembled

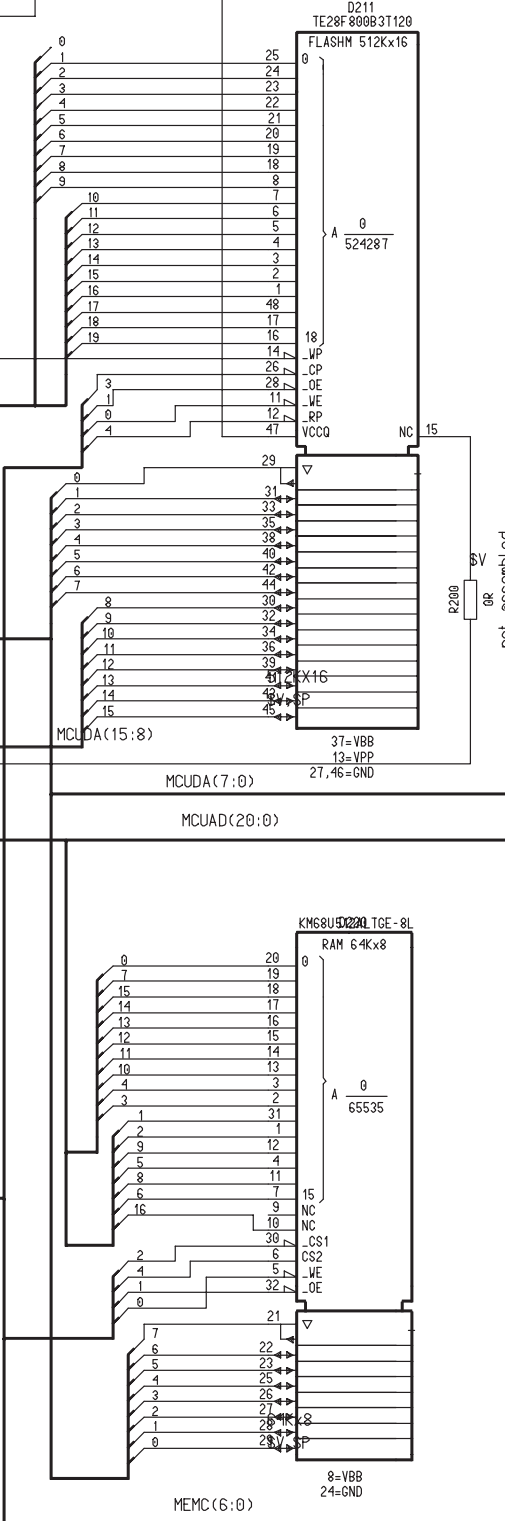
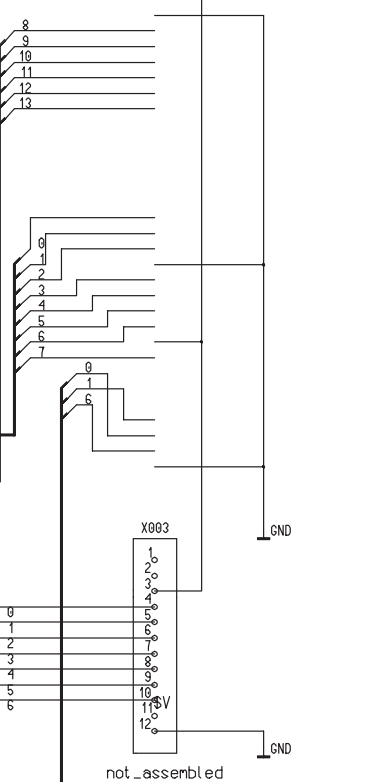
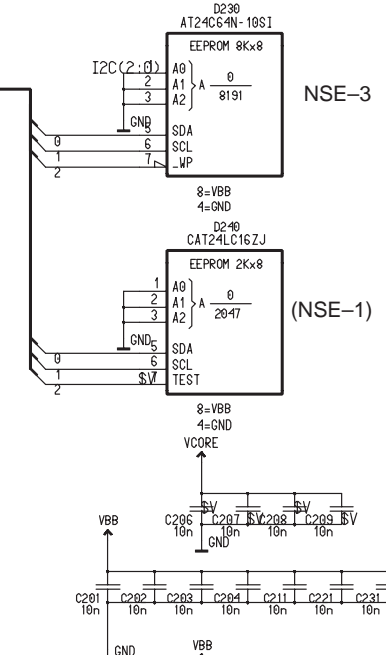




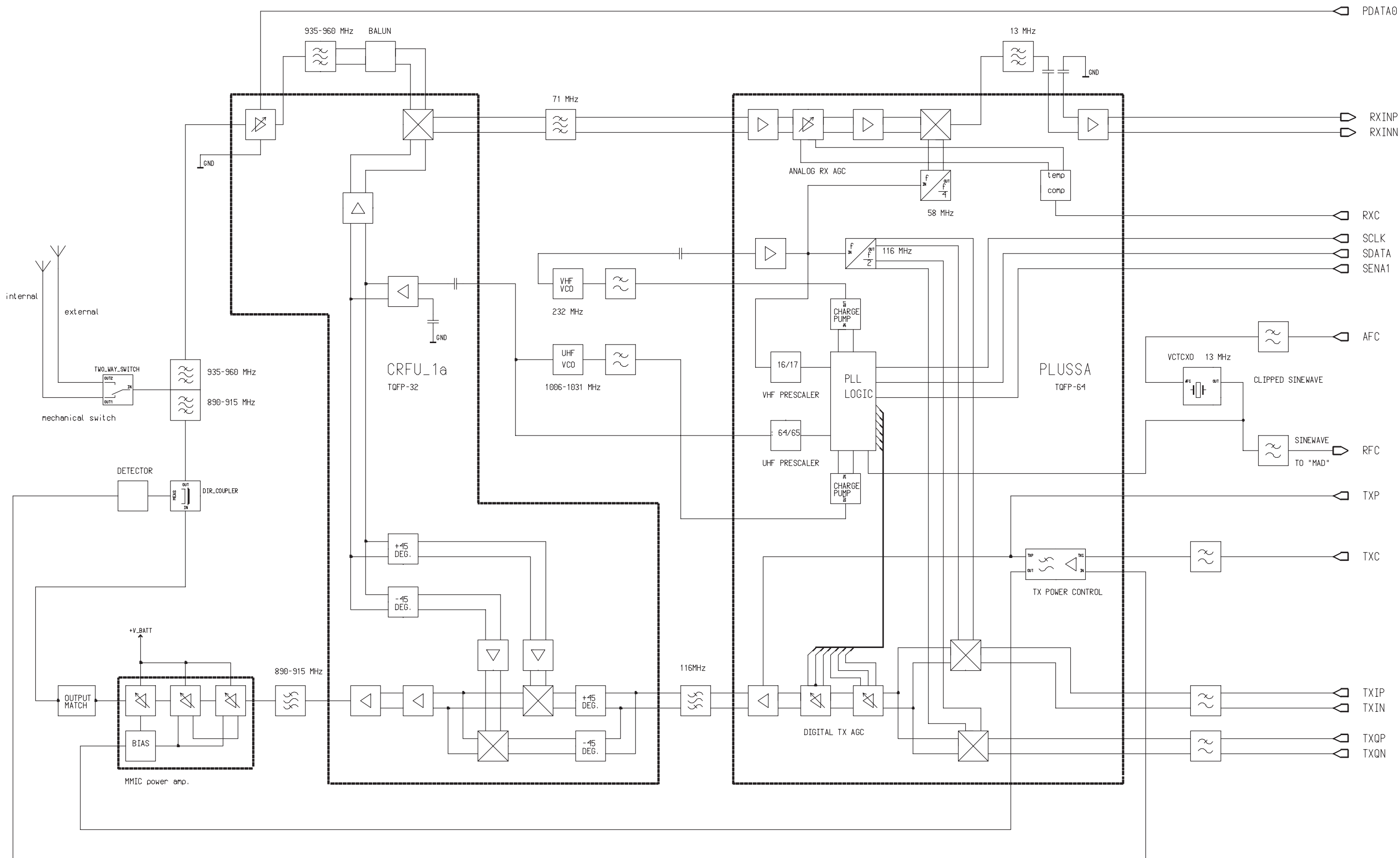


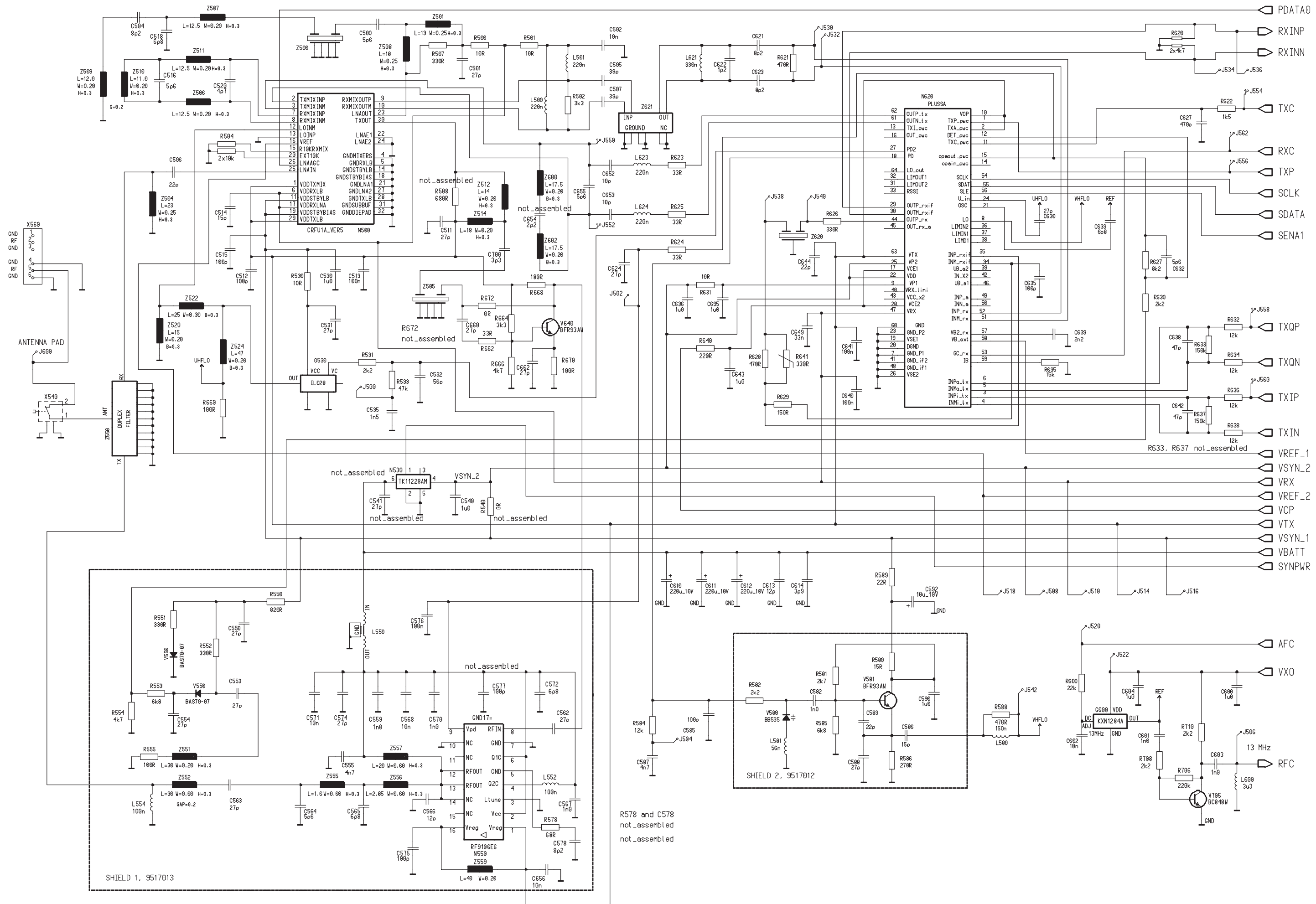


- COBBADA(11:0)
- COBBAAD(3:0)
- COBBAWRX
- COBBARDX
- COBBACLK
- COBBARSTX
- COBBADAX
- PCM(3:0)
- BATTIO
- CCONTC SX
- SIMIF(4:0)
- CNTVR(4:0)
- CHARLIM
- IRON
- GENSIO(1:0)
- FBUS(1:0)
- RFC
- CARDDET
- HOOKDET
- HEADDET
- MBUS
- PURX
- SLEEPCLK
- CCONTINT
- PDATA0
- SDATA
- SENA
- SCLK
- TXP
- VIBRA
- BUZZER
- CALL_LED
- KBLIGHTS
- LCDRSTX
- COL(4:0)
- ROW(5:0)
- LCDEN
- MICBIAS



170	MCUGenI00	DSPGenOut0	169	COBBADa0	162	0
90	MCUGenI01	DSPGenOut1	168	COBBADa1	161	1
102	MCUGenI02	DSPGenOut2	167	COBBADa2	160	2
101	MCUGenI03	DSPGenOut3	166	COBBADa3	159	3
111	MCUGenI04	DSPGenOut4	165	COBBADa4	158	4
36	MCUGenI05	DSPGenOut5	163	COBBADa5	157	5
34	MCUGenI06	FrActrl	171	COBBADa6	155	7
33	MCUGenI07			COBBADa7	154	7
75	MCUGenI08	COBBAAa0	148	0		
76	MCUGenI09	COBBAAa1	147	1		
77	MCUGenI10	COBBAAa2	146	2		
78	MCUGenI11	COBBAAa3	145	3		
80	MCUGenI12					
81	MCUGenI13					
82	MCUGenI14					
83	MCUGenI15					
14	Col0					
13	Col1					
12	Col2					
10	Col3					
9	Col4					
23	Row0					
22	Row1					
21	Row2					
20	Row3					
19	Row4					
15	Row5					
17	Row5					
137	PCMRxDat					
138	PCMDClk					
139	PCMSClk					
140	COBBADAX					
31	CoEmu0					
32	CoEmu1					
26	JTRst					
27	JTClk					
28	JTD1					
29	JTMS					
106	GenDet					
93	RFClk					
94	RFClkGND					
95	SIMCardDetX					
107	HookDet					
108	HeadDet					
109	AccRxData					
112	MBUS					
122	PURX					
123	CCONT int					
124	Clk32k					
133	TestMode					
5	VCC					
18	VCC					
30	VCC					
47	VCC					
59	VCC					
73	VCC					
85	VCC					
105	VCC					
115	VCC					
125	VCC					
136	VCC					
150	VCC					
164	VCC					
39	ARMVCC					
92	SCVCC					
16	LEADVCC					
98	LEADVCC					
130	LEADVCC					
11	GND					
25	GND					
42	GND					
52	GND					
66	GND					
79	GND					
100	GND					
110	GND					
121	GND					
141	GND					
155	GND					
172	GND					
37	ARMGND					
96	SCGND					
3	LEADGND					
35	LEADGND					
57	LEADGND					
131	RxPwr					
132	Txpwr					





R578 and C578
not_assembled
not_assembled

R633, R637 not_assembled

SHIELD 1, 9517013

SHIELD 2, 9517012

- ▷ PDATA0
- ▷ RXINP
- ▷ RXINN
- ▷ TXC
- ▷ RXC
- ▷ TXP
- ▷ SCLK
- ▷ SDATA
- ▷ SENA1
- ▷ VREF_1
- ▷ VSYN_2
- ▷ VRX
- ▷ VREF_2
- ▷ VCP
- ▷ VTX
- ▷ VSYN_1
- ▷ VBATT
- ▷ SYNPNR
- ▷ AFC
- ▷ VXO
- ▷ RFC

